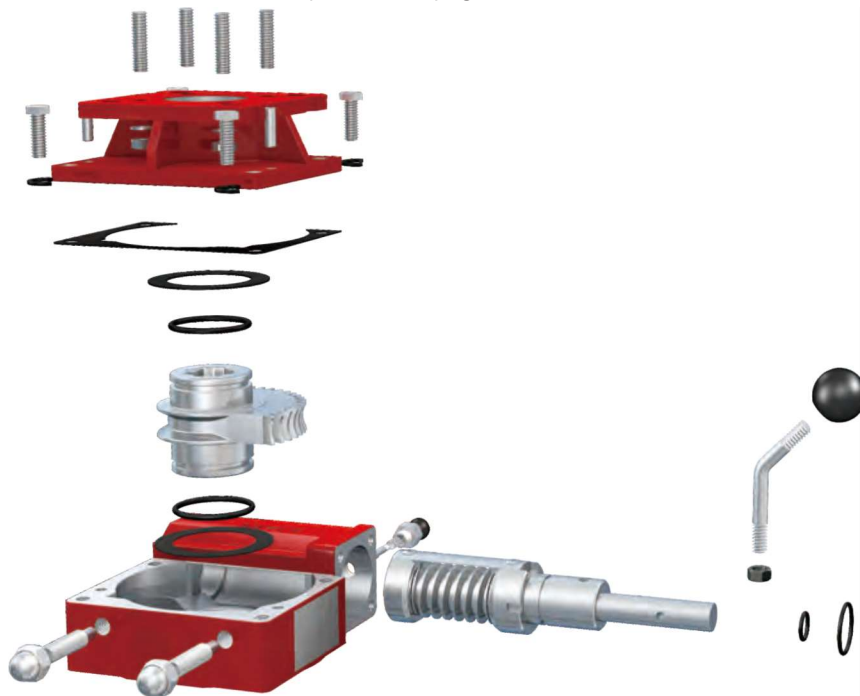


# SLJ series

## Clutch gear operator

This series consists of eight models with the speed ratio varying from 26:1 to 520:1 and the torque ranging from 300NM to 22000NM. The torque difference between every two adjacent models is small, helping to save a lot of costs for customers when selecting a specific product.

The clutch gear operator has a torque ranging from 300NM to 22,000NM and is available in 8 models with the speed ratio varying from 26:1 to 520:1.



### Main Components List

Part name	Material
Small cap	YL113/ WCB
Housing	YL113/ WCB
Worm gear	QT500-7 /Bronze
Bracket cap	YL113/ WCB

### Instructions for Installation and Operatio

Connect the bottom side of the reducer to the valve and the bracket face to the cylinder. Then slide the valve shaft into the inner hole on the cylinder until the valve shaft end is well matched with the square hole of the cylinder on all four sides. A tooth collision may occur when rotating the lever (by 180° outwards) to engage the worm. In such case, you need to turn the hand-wheel to a certain angle so that they can become engaged with each other. Actuating the device through pneumatic and manual means simultaneously is not allowed.

### Product Features

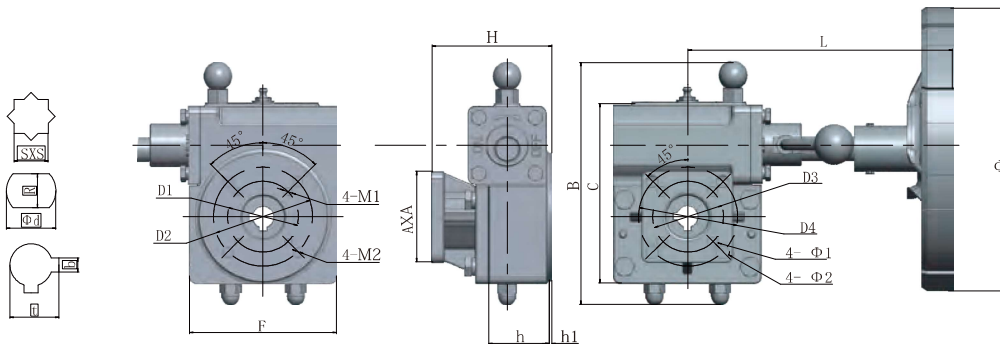
- 1. Aluminum die-cast alloy or cast steel casing
- 2. Full stamped hand-wheel (200-350)
- 3. IP65 grade protection
- 4. Nickel-plated input shaft, with more resistance to corrosion
- 5. Ductile iron worm gear
- 6. NBR sealing material
- 7. Suitable for -20°C ~ 120°C working conditions

### Customization

- 1. Stainless steel or LCB casing
- 2. IP68 grade protection
- 3. Aluminum-bronze worm gear
- 4. Stainless steel input shaft
- 5. For high temperature up to 170°C
- 6. For low temperature down to -40°C
- 7. For marine use

### Main Technical Parameter

Model	Ratio	Rating input (Nm)	Rating output (Nm)	Efficiency(%)	Hand-wheel
SLJ26	26:1	50	300	23	Φ200
		65	550		Φ200
SLJ38	38:1	70	620	23	Φ250
		80	700		Φ300
SLJ54	54:1	75	1000	25	Φ250
		90	1200		Φ300
SLJ80	80:1	95	2000	26	Φ350
SLJ78	78:1	160	3200	26	Φ600
SLJ270	270:1	90	6000	25	Φ500
SLJ320	320:1	100	8000	25	Φ500
SLJ520	520:1	160	22000	25	Φ700



### Main Technical Parameter

Model	Valve Conn(ISO5211)									Actuator Conn(ISO5211)													
	SxS	d	b	t	D	D1	4-M1	D2	4-M2	AxX1	D3	4-φ1	D4	4-φ2	H	h	h1	Φ	L	B	C	F	
SLJ26	11x11	15	5	17.3	φ30	F04	4-M5			52x52	F04	4-φ6			80	54	2	200	190	166	130	104	
	14x14	15	5	17.3	φ30	F05	4-M6	F07	4-M8	64x64	F05	4-φ7	F07	4-φ9	84	54	2	200	190	166	130	104	
	17x17	18	6	20.8	φ36	F07	4-M8			64x64			F07	4-φ9	84	54	2	200	190	166	130	104	
	17x17	22	8	25.3	φ36	F07	4-M8			64x64			F07	4-φ9	84	54	2	200	190	166	130	104	
SLJ38	22x22	22.2	8	25.5	φ45	F07	4-M8	F10	4-M10	100x100	F07	4-φ9	F10	4-φ12	79	55	3	200	195	191	156	125	
	22x22	32	10	35.3	φ45	F07	4-M8	F10	4-M10	100x100	F07	4-φ9	F10	4-φ12	79	55	3	200	195	191	156	125	
	27x27	38	10	41.3	φ60			F10	4-M10	115x115			F12	4-φ14	85	55	3	250	225	191	156	125	
	27x27	45	14	48.8	φ60			F10	4-M10	130x130			F14	4-φ18	91	55	3	300	225	191	156	125	
SLJ54	27x27	36	10	39.3	φ70	F10	4-M10	F12	4-M12	110x110	F10	4-φ12	F12	4-φ14	92	66	5	250	233	234	199	175	
	36x36	60	18	64.4	φ85			F14	4-M16	156x156			F16	4-φ22	107	66	5	300	233	234	199	175	
SLJ80	46x46	48	14	51.8	φ85	F14	4-M16			156x135			F14	4-φ18	114	73	4.5	350	277	311	279	234	
	46x46	60	18	64.4	φ85	F16	4-M20			156x156			F16	4-φ22	114	73	4.5	350	277	311	279	234	
SLJ78	46x46	48	14	51.8	φ85	F14	4-M16			156x135			F14	4-φ18	117	81	4.5	600	323	351	320	276	
	46x46	60	18	64.4	φ85	F16	4-M20			156x156			F16	4-φ22	117	81	4.5	600	323	351	320	276	
SLJ270	60x60	75	20	79.9	φ110	F16	4-M20			φ210			F25	8-φ18	188	145	5	500	365	406	370	315	
	60x60	75	20	79.9	φ110	F25	8-M16			φ300			F25	8-φ18	188	145	5	500	365	425	388	315	
SLJ320	60x60	105	28	111.4	φ150	F25	8-M16			φ300			F25	8-φ18	244	185	2	500	463	432	386	300	
SLJ520	75x75	120	32	127.4	φ160	F30	8-M20			φ350	F25	8-φ18	F30	8-φ22	388	220	3	700	542	530	510	430	
	75x75	120	32	127.4	φ160	F35	8-M30			φ350	F25	8-φ18	F30	8-φ22	388	220	3	700	542	530	510	430	